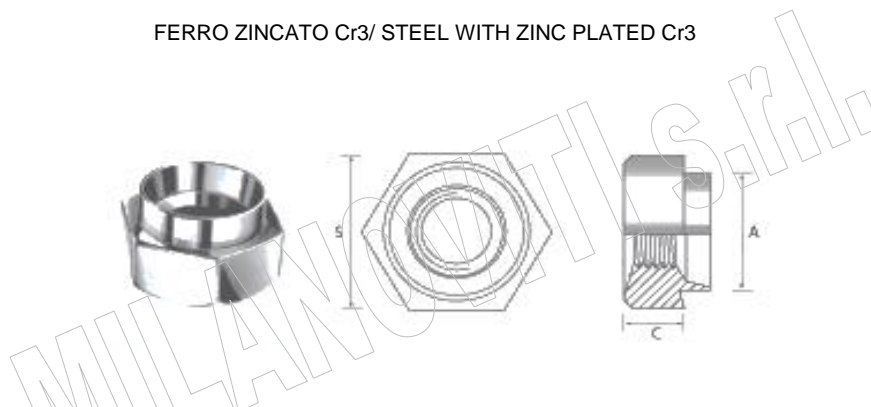




DADI AUTOAGGANCIANTI / INSERT NUTS ESAGONALI / HEXAGON

FERRO ZINCATO Cr3/ STEEL WITH ZINC PLATED Cr3



	M3	M4	M5	M6	M8	M10	M12
A	5,54	6,73	7,92	9,52	12,70	15,87	19,05
B	7,92	7,92	9,52	11,10	14,27	19,05	22,22
C	3,17	3,17	3,81	5,08	6,35	7,62	10,16
recom. Hole size	5,54	6,73	7,92	9,52	12,70	15,87	19,05

GUAGE	Diametro / Diameter mm. (*)						
	M3	M4	M5	M6	M8	M10	M12
10 swg							
12 swg							
14 swg							
16 swg							
18 swg							
20 swg							



DADI AUTOAGGANCIANTI / INSERT NUTS ESAGONALI / HEXAGON

FERRO GREZZO / STEEL PLAIN



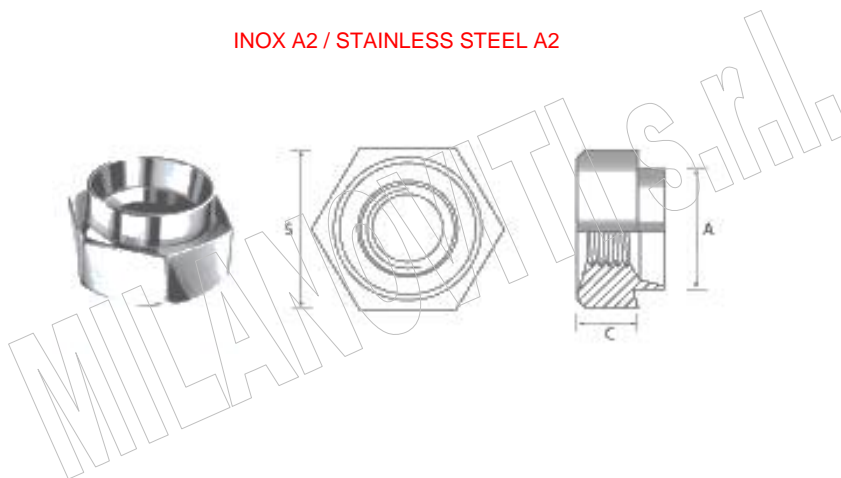
	M4	M5	M6	M8	M10	M12
A	6,73	7,92	9,52	12,70	15,87	19,05
B	7,92	9,52	11,10	14,27	19,05	22,22
C	3,17	3,81	5,08	6,35	7,62	10,16
Recom. Hole size	6,73	7,92	9,52	12,70	15,87	19,05

GUAGE	Diametro / Diameter mm. (*)					
	M4	M5	M6	M8	M10	M12
10 swg						
12 swg						
14 swg						
16 swg						
18 swg						
20 swg						



DADI AUTOAGGANCIANTI / INSERT NUTS ESAGONALI / HEXAGON

INOX A2 / STAINLESS STEEL A2



	M3	M4	M5	M6	M8	M10	M12
A	5,54	6,73	7,92	9,52	12,70	15,87	19,05
B	7,92	7,92	9,52	11,10	14,27	19,05	22,22
C	3,17	3,17	3,81	5,08	6,35	7,62	10,16
Recom hole size	5,54	6,73	7,92	9,52	12,70	15,87	19,05

GUAGE	Diametro / Diameter mm.						
	M3	M4	M5	M6	M8	M10	M12
10							
12							
14							
16							
18							
20							